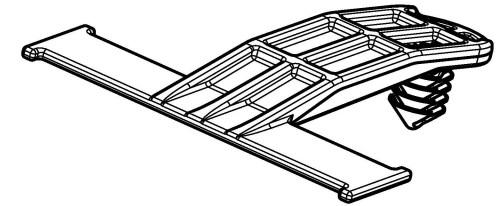


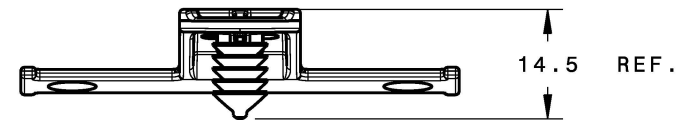
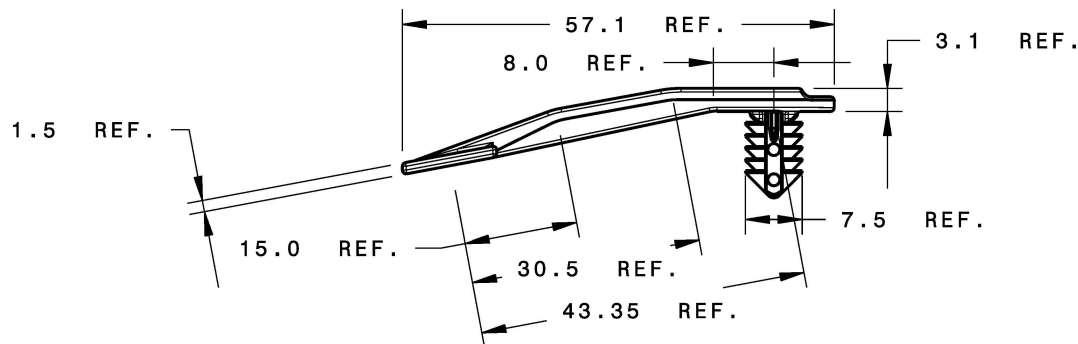
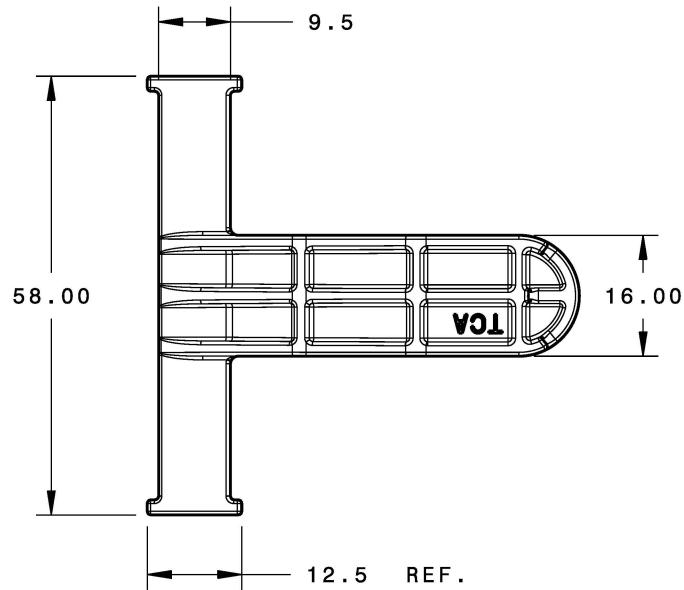
REFERENCE:

PERFORMANCE REQUIREMENTS AT DRY AS MOLDED:

1. SHEET METAL THICKNESS RANGE: 0.60mm - 5.75mm
2. CIRCULAR HOLE SIZE: 6.5 +/- 0.4mm
3. APPLICABLE HEX HOLE: 6.35mm +/- 0.25mm



Isometric view



INVENTORS

HellermannTyton[®]

ALL PROPRIETARY RIGHTS IN THE SUBJECT MATTER SHOWN ON THIS DRAWING ARE EXCLUSIVE PROPERTY OF HELLERMANN TYTON

name	date	city/state
SCOTT ADAMS	10/26/10	MENOMONEE FALLS, WI.

REVISIONS	D	level	03
	A	by	AAC
	W	date	03/30/12
	I	ECN #	012060
	N	part level	B
	G		

DIMENSIONS	TOP	.XXXX = ± 0.25
	PRE	.XXX = ± 0.375
	PAR	.XX = ± 0.50
	ANCES	.X = ± 1.00
		∠ = ± 1.0
		unless otherwise specified
	units	millimeters

PART	number	SOC10FT6LG	phase	PRODUCTION
	name	43mm OFFSET TAPE CLIP WITH 6.5mm FIR TREE		
	material	PA66 HIRHS COLOR: NATURAL		

DRAWING	FORMAT	AH	CATIA V5	SCALE	2:1	
	VERSION	J	CAD	previous drawing number		
	A- SIZE (landscape)_N01					
	drawn	S. ADAMS	S. ADAMS			
	11/1/10	checked	03/30/12	approved		
	type	CUSTOMER		sheet 1 of 1		
number	MT10-0944-001CST					